

Checkers Industrial Product's Limited Warranty and Limitation of Liability

Manufacturer warrants that on the date of purchase this product will conform to Manufacturer's specifications for this product (which are available from the Manufacturer upon request), the Manufacturer further warrants that this product is free from defects in materials and workmanship. This Limited Warranty extends for twelve (60) months from the date of purchase. Other warranties may apply, call Manufacturer for details. Manufacturer will, at its discretions, repair or replace any product found by the Manufacturer to be defective and subject to this Limited Warranty.

If within the above warranty timeframe for the specified part (within the aforementioned limitations) Checkers Industrial Product's will repair the item if faulty at no part or labor charge if:

- The fault occurs under normal circumstances during normal use and
- The fault is found to be caused by defective or faulty materials or workmanship

The warranty does not cover transport costs and in-transit insurance costs to and from:
Checkers

If the product is to be returned, it should whenever possible, be returned in its original carton, or alternatively in suitable packaging so as to prevent damage to the product. Checkers will not accept responsibility for damage transit damage to the item.

Return for warranty repairs must, prior to shipping from the customer, be authorized by Checkers (Phone 800-438-9336) and must reference the warranty repair number issued (RMA), and also be shipped to the authorized warranty location.

DAMAGE TO PARTS OR PRODUCTS RESULTING FROM TAMPERING, ACCIDENT, ABUSE, MISUSE, NEGLIGENCE, UNAPPROVED MODIFICATIONS, FIRE OR OTHER HAZARD; IMPROPER INSTALLATION OR OPERATION; OR NOT BEING MAINTAINED IN ACCORDANCE WITH THE MAINTENANCE PROCEDURES SET FORTH IN MANUFACTURER'S INSTALLATION AND OPERATING INSTRUCTIONS VOIDS THIS LIMITED WARRANTY.

ORAL STATEMENTS OR REPRESENTATIONS ABOUT THE PRODUCT WHICH MAY HAVE BEEN MADE BY SALESPEOPLE, DEALERS, AGENTS OR OTHER MANUFACTURER'S REPRESENTATIVES DO NOT CONSTITUTE WARRANTIES. THIS LIMITED WARRANTY MAY NOT BE AMENDED, MODIFIED, OR ENLARGED EXCEPT BY A WRITTEN AGREEMENT SIGNED BY AN AUTHORIZED OFFICIAL OF THE MANUFACTURER WHICH EXPRESSLY REFERS TO THIS LIMITED WARRANTY.

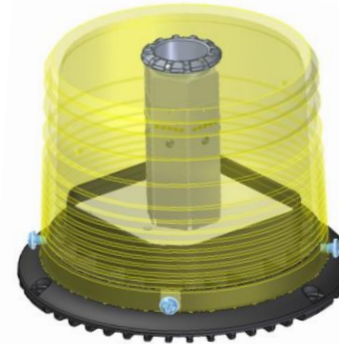
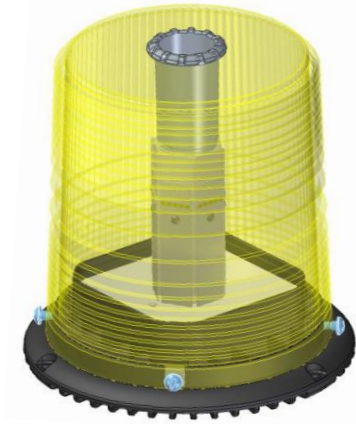
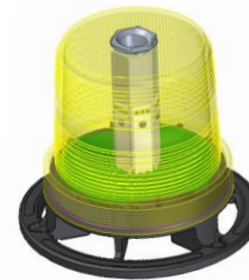
Exclusion of Other Warranties:

MANUFACTURER MAKES NO OTHER WARRANTIES, EXPRESS OR IMPLIED. THE IMPLIED WARRANTIES FOR MERCHANTABILITY OR FITNESS FOR A PARTICULAR PURPOSE ARE HEREBY EXCLUDED AND SHALL NOT APPLY TO THE PRODUCT. BUYER'S SOLE AND EXCLUSIVE REMEDY IN CONTRACT, TORT, OR UNDER ANY OTHER THEORY AGAINST MANUFACTURER REGARDING THE PRODUCT AND ITS USE SHALL BE THE REPLACEMENT OR REPAIR OF THE PRODUCT AS DESCRIBED ABOVE.

Limitation of Liability:

IN THE EVENT OF LIABILITY FOR DAMAGES ARISING OUT OF THIS LIMITED WARRANTY OR ANY OTHER CLAIM RELATED TO THE MANUFACTURER'S PRODUCTS, MANUFACTURER'S LIABILITY FOR DAMAGES SHALL BE LIMITED TO THE AMOUNT PAID FOR THE PRODUCT AT THE TIME OF THE ORIGINAL PURCHASE. IN NO EVENT SHALL MANUFACTURER BE LIABLE FOR LOST PROFITS, THE COST OF SUBSTITUTE EQUIPMENT OR LABOR, PROPERTY DAMAGE, OR OTHER SPECIAL, CONSEQUENTIAL, OR INCIDENTAL DAMAGES BASED UPON ANY CLAIM FOR BREACH OF CONTRACT, IMPROPER INSTALLATION, NEGLIGENCE, OR OTHER CLAIM, EVEN IF MANUFACTURER OR A MANUFACTURER'S REPRESENTATIVE HAS BEEN ADVISED OF THE POSSIBILITY OF SUCH DAMAGES. MANUFACTURER SHALL HAVE NO FURTHER OBLIGATION OR LIABILITY WITH RESPECT TO THE PRODUCT OR ITS SALE, OPERATION AND USE, AND MANUFACTURER NEITHER ASSUMES NOR AUTHORIZES THE ASSUMPTION OF ANY OTHER OBLIGATION OR LIABILITY IN CONNECTION WITH SUCH PRODUCT.

This Limited Warranty defines specific legal rights. You may have other legal rights which vary from state to state. Some states do not allow the exclusion or limitation of incidental or consequential damages.

**SL1350/2250
4 Inch****SL1350/2250
6 Inch****SL900****SL300**

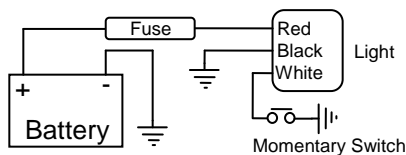
Installation

- LS Series LED Beacons have bases that are mounted by 3 #10 screws that are spaced 120° apart on centers as follows:
 - 1350/2250 6 Inch diameter @ 120° Spacing, 3 holes are .200" in Dia.
 - 300/900 4.6 Inch diameter @ 120° Spacing, 3 holes are .225" in Dia.

Wiring of Light

- To power the light and to control its modes of operation, it requires three wire to be connected to power, ground and to a momentary switch. See below for details.
- Wiring Connections
 - Red Wire: Is connected through a recommended 5 amp fuse (not supplied) to a positive DC battery source.
 - Black Wire: this wire is connected directly to chassis ground.
 - White Wire (mode wire): The white wire should be connected to a momentary switch to ground. If there is no requirement for changing modes of the light, the white wire should be left floating and not connected.

Wiring Diagram



Light Specifications

- Operating Voltage 12 to 48 Volts DC
- Average Current: 300 70mA, 900 200mA, 1350 250mA, 2250 700mA
- Intensity (White LED's): 2250lm, 1350lm, 900lm, 300lm
- Pipe mount: Standard 1" built in on 1350/2250 units, 1/2" pipe mount option available on 300/900 units.
- Magnet mount available on all units
- Lens Colors Available:
 - Red, Green, Amber, White, Blue
- Dust Cover
 - Only available for 6 Inch lens.
- Operating Temperatures
 - -20° C to 55° C (0° F to 130° F)
- Case Material
 - Lens – UV protected polycarbonate
 - Base – Ultra-Tuff Nylon

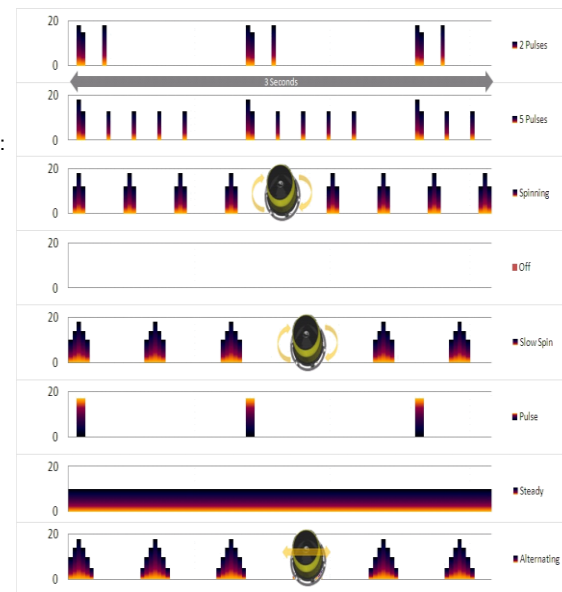


Changing Light Patterns

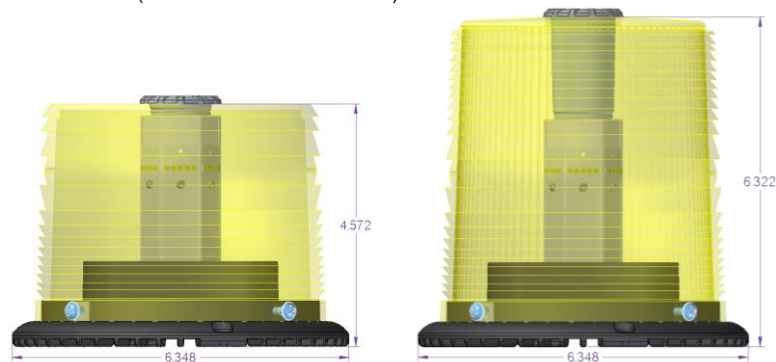
- Flashing Patterns are changed by momentary grounding the white wire. Or if using a cigarette plug pushing the pattern button noted above. There are 10 various flashing patterns to choose from. Note when the light is power off the current pattern is stored for the next time the light is turned on.

Light Flashing Patterns:

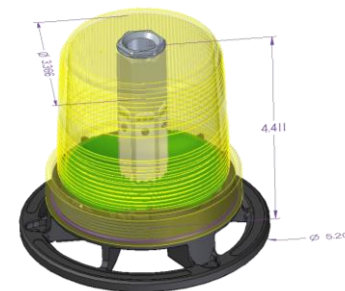
- 2 Pulses
- 5 Pulses
- Rotator Fast
- Off
- Rotator Slow
- Pulse
- Steady
- Alternating



Light Dimensions (All dimensions are in Inches)



SL1350/2250



SL300/900